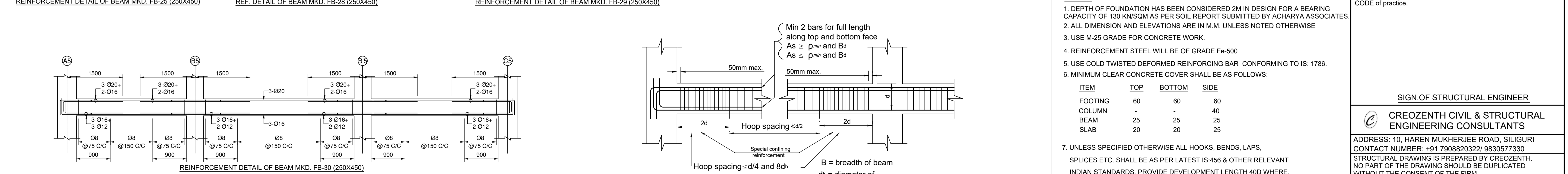
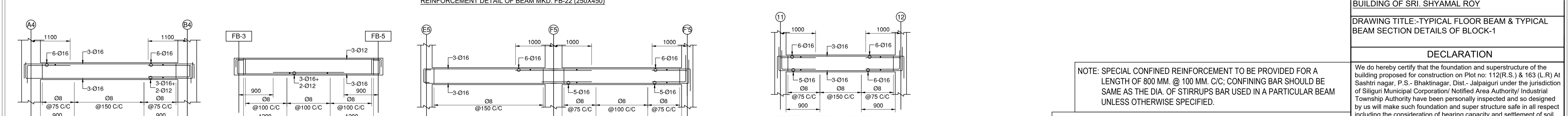
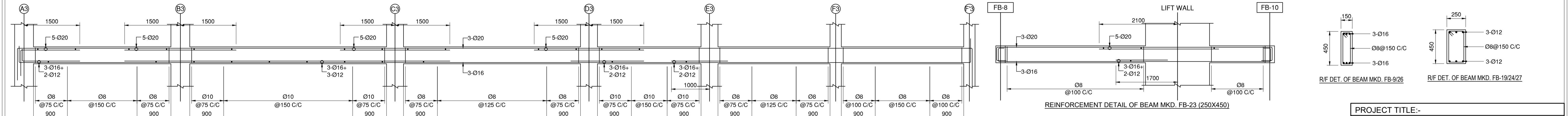


STRUCTURAL ARRANGEMENT OF TYPICAL FLOOR (BLOCK 1)  
SCALE 1:100



TYPICAL DETAILS OF BEAM

NOTE: SPECIAL CONFINED REINFORCEMENT TO BE PROVIDED FOR A LENGTH OF 800 MM. @ 100 MM. C/C; CONFINING BAR SHOULD BE SAME AS THE DIA. OF STIRRUPS BAR USED IN A PARTICULAR BEAM UNLESS OTHERWISE SPECIFIED.

NOTES :-

- DEPTH OF FOUNDATION HAS BEEN CONSIDERED 2M IN DESIGN FOR A BEARING CAPACITY OF 130 KN/SQM AS PER SOIL REPORT SUBMITTED BY ACHARYA ASSOCIATES.
  - ALL DIMENSION AND ELEVATIONS ARE IN M.M. UNLESS NOTED OTHERWISE
  - USE M-25 GRADE FOR CONCRETE WORK.
  - REINFORCEMENT STEEL WILL BE OF GRADE Fe-500
  - USE COLD TWISTED DEFORMED REINFORCING BAR CONFORMING TO IS: 1786.
  - MINIMUM CLEAR CONCRETE COVER SHALL BE AS FOLLOWS:
- | ITEM    | TOP | BOTTOM | SIDE |
|---------|-----|--------|------|
| FOOTING | 60  | 60     | 60   |
| COLUMN  | -   | -      | 40   |
| BEAM    | 25  | 25     | 25   |
| SLAB    | 20  | 20     | 25   |
- UNLESS SPECIFIED OTHERWISE ALL HOOKS, BENDS, LAPS, SPLICES ETC. SHALL BE AS PER LATEST IS-456 & OTHER RELEVANT INDIAN STANDARDS. PROVIDE DEVELOPMENT LENGTH 40D WHERE,
  - "D" IS THE DIAMETER OF REINFORCING BAR.
  - ALL DIMENSIONS AND DETAILS ARE TYPICAL UNLESS INDICATED OTHERWISE.
  - THIS DRAWING WILL BE READ IN CONJUNCTION WITH CONTRACT DOCUMENT.
  - DESIGN IS BASED ON IS-456:2000; IS-1893(PART1)-2016; IS-875(PARTII)-1987

PROJECT TITLE:-  
G+4 STORED RESIDENTIAL CUM COMMERCIAL BUILDING OF SRI. SHYAMAL ROY

DRAWING TITLE:- TYPICAL FLOOR BEAM & TYPICAL BEAM SECTION DETAILS OF BLOCK-1

DECLARATION

We do hereby certify that the foundation and superstructure of the building proposed for construction on Plot no: 112(R.S.) & 163 (L.R) At Sashtri nagar, P.S. Bhaktinagar, Dist. Jalpaiguri under the jurisdiction of Siliguri Municipal Corporation/ Notified Area Authority/ Industrial Township Authority have been personally inspected and so designed by us will make such foundation and super structure safe in all respect including the consideration of bearing capacity and settlement of soil and other condition if any conforming to all stipulations of all relevant IS CODE of practice.

SIGN OF STRUCTURAL ENGINEER

**CREOZENTH CIVIL & STRUCTURAL ENGINEERING CONSULTANTS**

ADDRESS: 10, HAREN MUKHERJEE ROAD, SILIGURI  
CONTACT NUMBER: +91 790820322/ 9830577330  
STRUCTURAL DRAWING IS PREPARED BY CREOZENTH.  
NO PART OF THE DRAWING SHOULD BE DUPLICATED WITHOUT THE CONSENT OF THE FIRM.

|                             |                  |                  |
|-----------------------------|------------------|------------------|
| DESIGNED BY : S. BASAK      | REV. NO.         | DATE             |
| DRAWN BY : S. SAHA & N. RAI |                  |                  |
| CHECKED BY : R. CHAKRABORTI |                  |                  |
| SCALE 1:100                 | SHEET NO. STR/03 | DATE: 07/02/2023 |